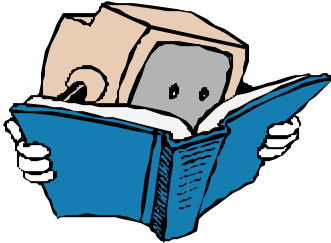


HITACHI

SM0100



SERVICE MANUAL MANUEL D'ENTRETIEN WARTUNGSHANDBUCH

**AXF100E
AXF100EBS
AXF100UC
AXF100W
AXF100WUN**

CAUTION:

Before servicing this chassis, it is important that the service technician read the "Safety Precautions" and "Product Safety Notices" in this service manual.

ATTENTION:

Avant d'effectuer l'entretien du châssis, le technicien doit lire les «Précautions de sécurité» et les «Notices de sécurité du produit» présentés dans le présent manuel.

VORSICHT:

Vor Öffnen des Gehäuses hat der Service-Ingenieur die „Sicherheitshinweise“ und „Hinweise zur Produktsicherheit“ in diesem Wartungshandbuch zu lesen.

Data contained within this Service manual is subject to alteration for improvement.

Les données fournies dans le présent manuel d'entretien peuvent faire l'objet de modifications en vue de perfectionner le produit.

Die in diesem Wartungshandbuch enthaltenen Spezifikationen können sich zwecks Verbesserungen ändern.



CONTENTS

| | |
|-----------------------------|----|
| SPECIFICATIONS..... | 3 |
| SERVICE POINTS..... | 4 |
| WIRING DIAGRAM..... | 8 |
| PRINTED WIRING BOARD..... | 9 |
| CIRCUIT DIAGRAM..... | 17 |
| BLOCK DIAGRAM..... | 29 |
| EXPLODED VIEW..... | 31 |
| REPLACEMENT PARTS LIST..... | 35 |

SPECIFICATIONS AND PARTS ARE SUBJECT TO CHANGE FOR IMPROVEMENT

**MINI COMPONENT HI-FI SYSTEM
September 2000**


ENGLISH

SAFETY PRECAUTIONS

WARNING: The following precautions must be observed.

ALL PRODUCTS

Before any service is performed on the chassis an isolation transformer should be inserted between the power line and the product.

1. When replacing the chassis in the cabinet, ensure all the protective devices are put back in place.
2. When service is required, observe the original lead dressing. Extra precaution should be taken to ensure correct lead dressing in any high voltage circuitry area.
3. Many electrical and mechanical parts in HITACHI products have special safety related characteristics. These characteristics are often not evident from visual inspection, nor can the protection afforded by them necessarily be obtained by using replacement components rated for higher voltage, wattage, etc. Replacement parts which have these special safety characteristics are identified by marking with a  on the schematics and the replacement parts list.
The use of a substitute replacement component that does not have the same safety characteristics as the HITACHI recommended replacement one, shown in the parts list, may create electrical shock, fire, X-radiation, or other hazards.
4. Always replace original spacers and maintain lead lengths. Furthermore, where a short circuit has occurred, replace those components that indicate evidence of overheating.
5. Insulation resistance should not be less than 2M ohms at 500V DC between the main poles and any accessible metal parts.
6. No flashover or breakdown should occur during the dielectric strength test, applying 3kV AC or 4.25kV DC for two seconds between the main poles and accessible metal parts.
7. Before returning a serviced product to the customer, the service technician must thoroughly test the unit to be certain that it is completely safe to operate without danger of electrical shock. The service technician must make sure that no protective device built into the instrument by the manufacturer has become defective, or inadvertently damaged during servicing.

CE MARK

1. HITACHI products may contain the CE mark on the rating plate indicating that the product contains parts that have been specifically approved to provide electromagnetic compatibility to designated levels.
2. When replacing any part in this product, please use only the correct part itemised in the parts list to ensure this standard is maintained, and take care to replace lead dressing to its original state, as this can have a bearing on the electromagnetic radiation/immunity.

PICTURE TUBE

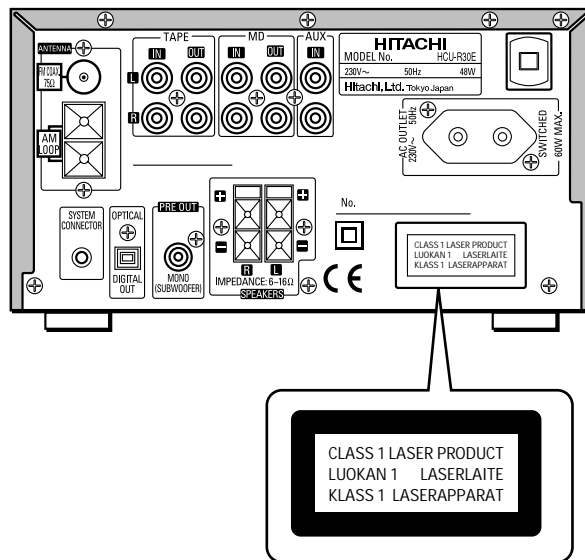
1. The line output stage can develop voltages in excess of 25kV; if the E.H.T. cap is required to be removed, discharge the anode to chassis via a high value resistor, prior to its removal from the picture tube.
2. High voltage should always be kept at the rated value of the chassis and no higher. Operating at higher voltages may cause a failure of the picture tube or high voltage supply, and also, under certain circumstances could produce X-radiation levels moderately in excess of design levels. The high voltage must not, under any circumstances, exceed 29kV on the chassis (except for projection Televisions).
3. The primary source of X-radiation in the product is the picture tube. The picture tube utilised for the above mentioned function in this chassis is specially constructed to limit X-radiation. For continued X-radiation protection, replace tube with the same type as the original HITACHI approved type
4. Keep the picture tube away from the body while handling. Do not install, remove, or handle the picture tube in any manner unless shatterproof goggles are worn. People not so equipped should be kept away while picture tubes are handled

LASERS

If the product contains a laser avoid direct exposure to the beam when the cover is open or when interlocks are defeated or have failed.

- The caution labels on laser usage

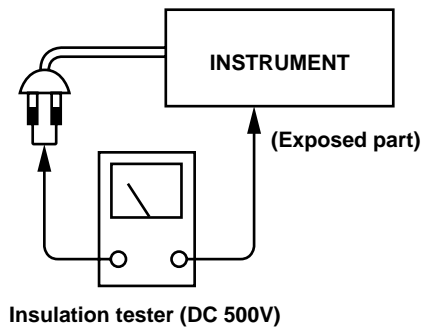
- Notices de précautions d'emploi du laser



Check that exposed parts are acceptably insulated from the supply circuit before returning the repaired instrument to the customer.

- Checking method

Measure the resistance value between the both poles of attachment cup (Power supply plug) and the exposed parts (Parts such as Knob, Cover, etc. where the customer is easy to touch.) and check that the resistance value is 500 kohms or more.



SAFETY PRECAUTIONS

The following precautions should be observed when servicing.

1. Since many parts in the unit have special safety-related characteristics, always use genuine Hitachi's replacement parts. Especially critical parts in the power circuit block should not be replaced with other makers. Critical parts are marked with \triangle in the circuit diagram.
2. Before returning a repaired unit to the customer, the service technician must thoroughly test the unit to ascertain that it is completely safe to operate without danger of electrical shock.

SPECIFICATIONS

• RECEIVER SECTION

| | |
|-------------|---|
| Tuner Range | : FM: 87.5 - 108.0 MHz (0.1 MHz step) – UC |
| | : FM: 87.50 - 108.00 MHz (0.05 MHz step) – E, EBS, W, WUN |
| | : MW: 520 - 1,710 kHz (10 kHz step) – UC, W, WUN |
| | : MW: 522 - 1,611 kHz (9 kHz step) – E, EBS, W, WUN |
| | : LW: 153 - 281 kHz (1 kHz step) – E, EBS |

• CD SECTION

| | |
|--------------------|-----------------------|
| Sampling Frequency | : 44.1 kHz |
| Laser | : Semiconductor laser |

• TIMER SECTION

| | |
|----------------|--|
| System | : Digital Quartz Clock |
| Display Format | : 24-hour cycle – E, EBS, W, WUN |
| | : 12-hour cycle – UC |
| Timer Accuracy | : Within 60 seconds at monthly rate in normal room temperature |

• GENERAL SPECIFICATIONS

| | |
|--------------------|--|
| Power Supply | : AC 110 - 127 V/220 - 240 V, 50/60 Hz – W, WUN |
| | : AC 120 V, 60 Hz – UC |
| | : AC 230 V, 50 Hz – E, EBS |
| Power Consumption | : 48 W (ECO-ON mode: less than 1 W) – E, EBS, W, WUN |
| | : 1.1 A include AC outlet (ECO-ON mode: less than 1 W) – UC |
| Rated Output Power | : 30 W + 30 W (6 ohms, THD 10%) |
| Inputs/Outputs | : MD, TAPE, AUX, Optical Digital Out, Pre out, Headphone, System Connector |

• SPEAKER SECTION

| | |
|--------------|--|
| System | : 2 Way Bass Reflex Speaker System |
| Speaker Unit | : Woofer: 10 cm ∞ 1, Tweeter: 5 cm ∞ 1 |
| Impedance | : 6 ohms |

• DIMENSIONS

| | |
|--------------|--|
| HCU-R30 Unit | : 210 (W) ∞ 120 (H) ∞ 325 (D) mm |
| Speaker Unit | : 150 (W) ∞ 275 (H) ∞ 227 (D) mm |

• WEIGHT

| | |
|--------------|----------------------|
| HCU-R30 Unit | : 4.4 kg |
| Speaker Unit | : 3.0 kg (1 speaker) |

• ACCESSORY SUPPLIED

| |
|---|
| : FM Antenna, AM LOOP Antenna, Remote Control (RB-AXF3), Battery, Edison plug adapter (For W, WUN only) |
|---|

* Specifications are subject to change for performance improvement without notice.

SERVICE POINTS

1 Removal of Top Cover

- (1) Remove 4 screws 1 from each side.
- (2) Remove 4 screws 2 from the rear plate.

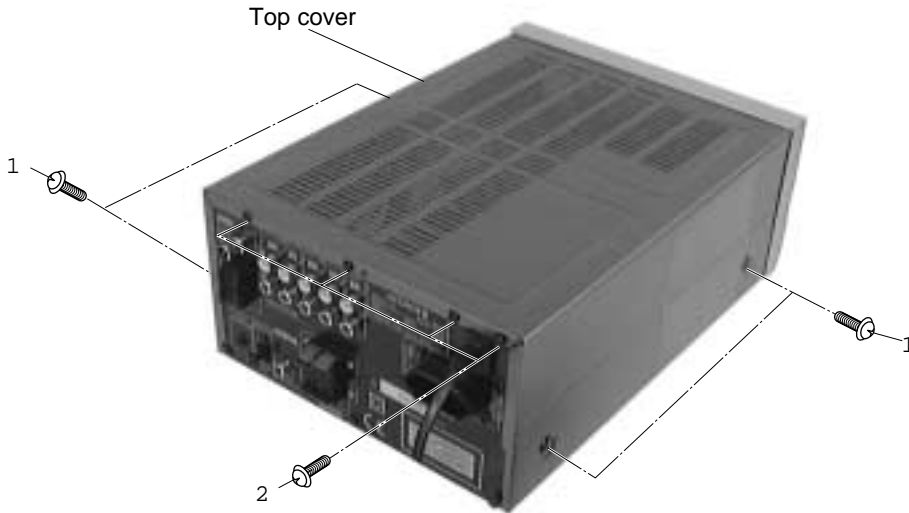
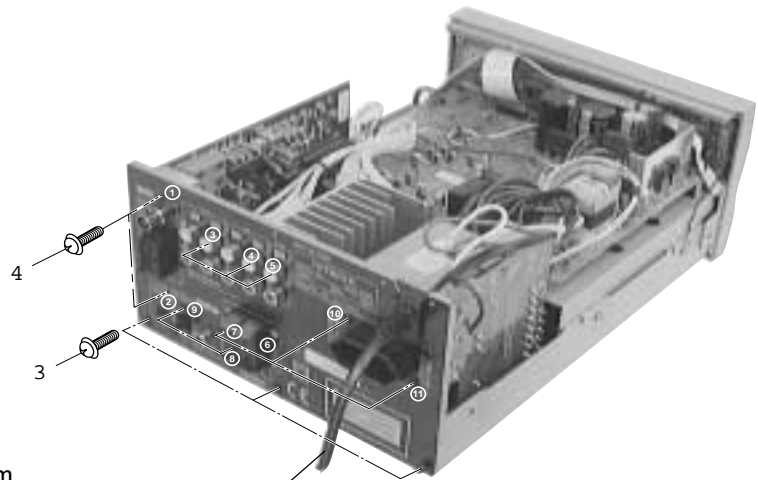


Fig. 1

2 Removal of Rear Plate and Power Cord

- (1) Remove 11 screws 3 and 4 from the rear plate.
- (2) Detach the power cord.

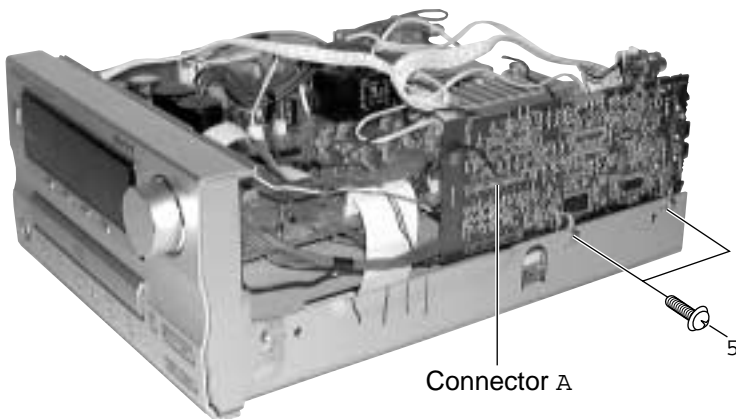


Power cord

Fig. 2

3 Removal of Tuner P.W.B Board

- (1) Remove 2 screws 5.
- (2) Pull the tuner P.W.B gently to detach from connector A of the main PCB.



Connector A

Fig. 3

4 Removal of Front Panel

- (1) Detach connector B & C (Refer to Fig. 5-2)
- (2) Remove 3 screws 6 from base of front panel.
- (3) Remove 1 screw 7 from each side and screw 8.
- (4) Release the claw of the Inner panel from each side.

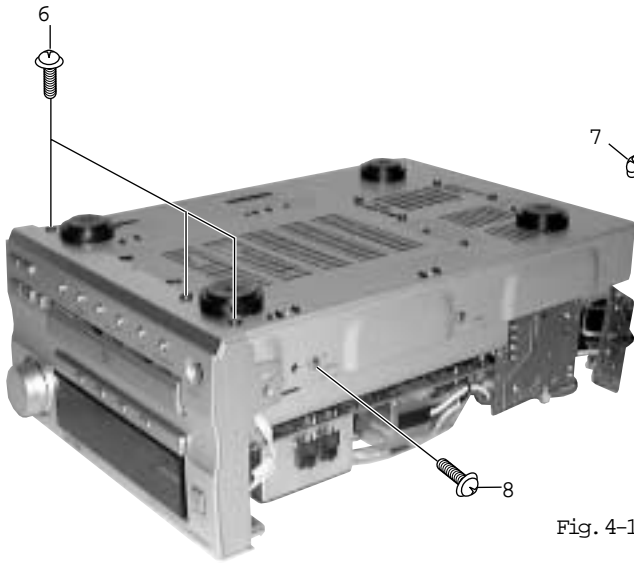


Fig. 4-1

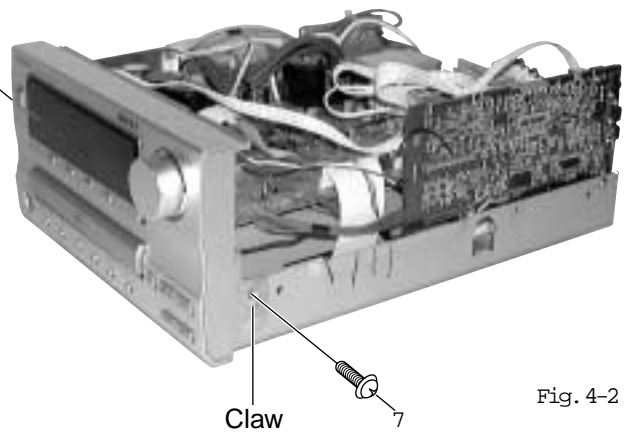


Fig. 4-2

5 Removal of Front P.W.B Board

- (1) Remove the volume knob to detach the nut.
- (2) Remove 13 screws 9.

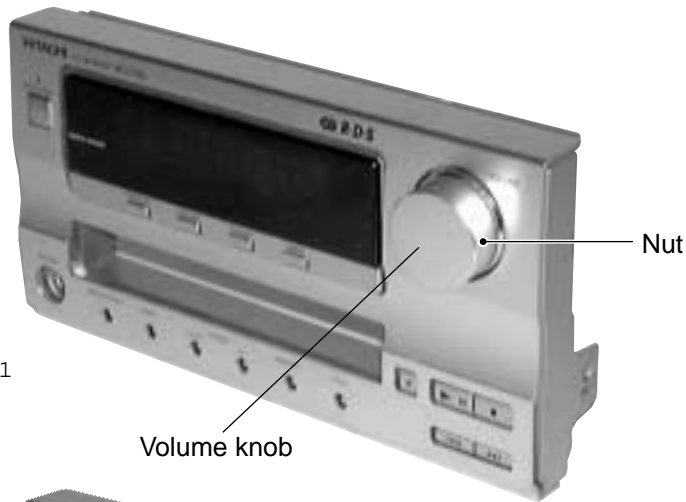


Fig. 5-1

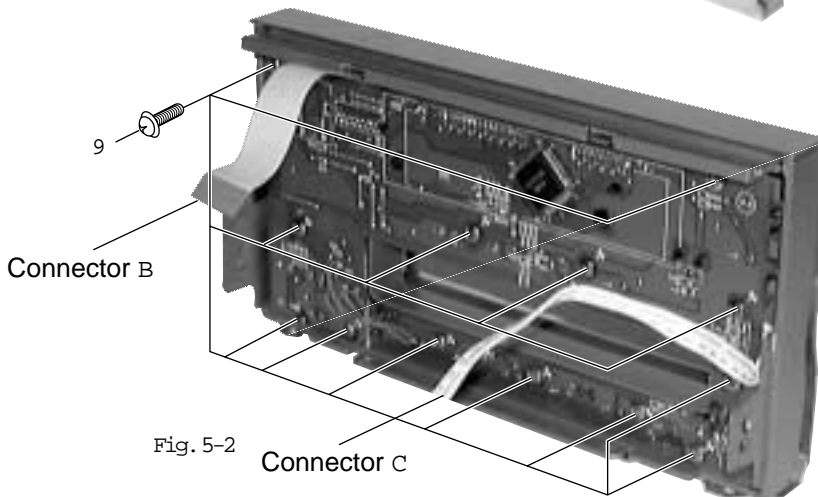


Fig. 5-2

6. Removal of Main P.W.B Board and Power Transformer

- (1) Detach the connector D to K.
- (2) Remove 4 screws ! from base of the plate and 4 screws " .
- (3) Press and push downwards the P.W.B. support.
- (4) Gently pull the main P.W.B. upwards and remove the Power Transformer.

| No. | CONNECTOR |
|-----|-----------|
| D | CN702 |
| E | CN701 |
| F | PG301 |
| G | PG302 |
| H | PG501 |
| I | PG601 |
| J | CN501 |
| K | PG505 |
| L | PG602 |

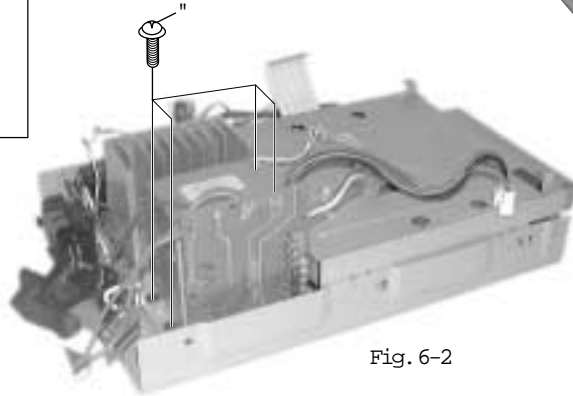
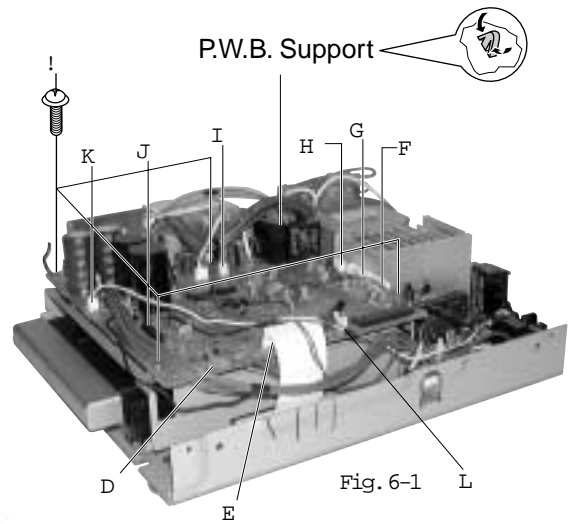


Fig. 6-2

7. Removal of Amp P.W.B. Board

- (1) Remove 1 screw #.
- (2) Remove 4 screws \$ from base of chassis.

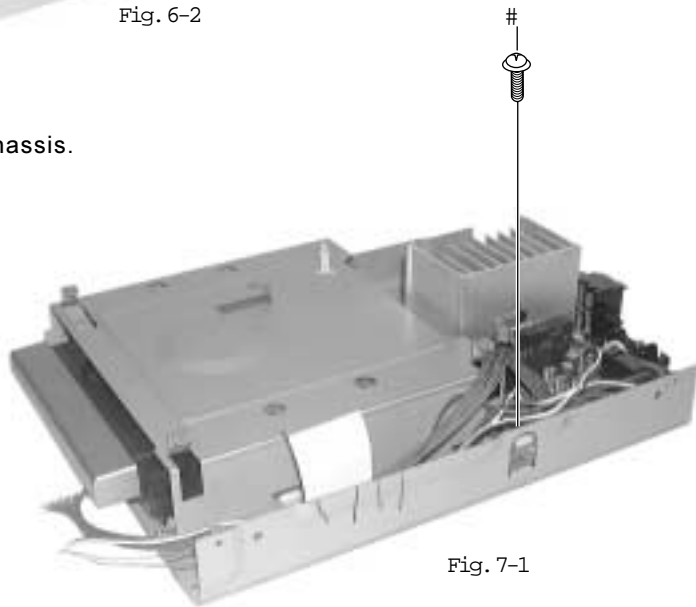


Fig. 7-1

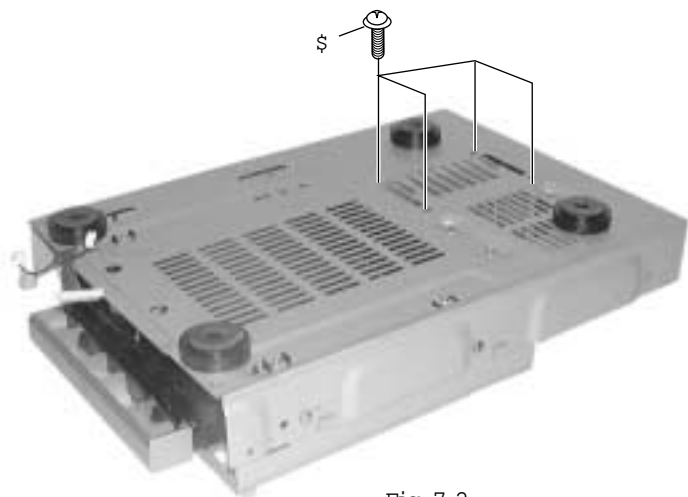


Fig. 7-2

8 Removal of P.W.B. Holder

(1) Remove 3 screws $\%$ to detach the P.W.B. Holder.

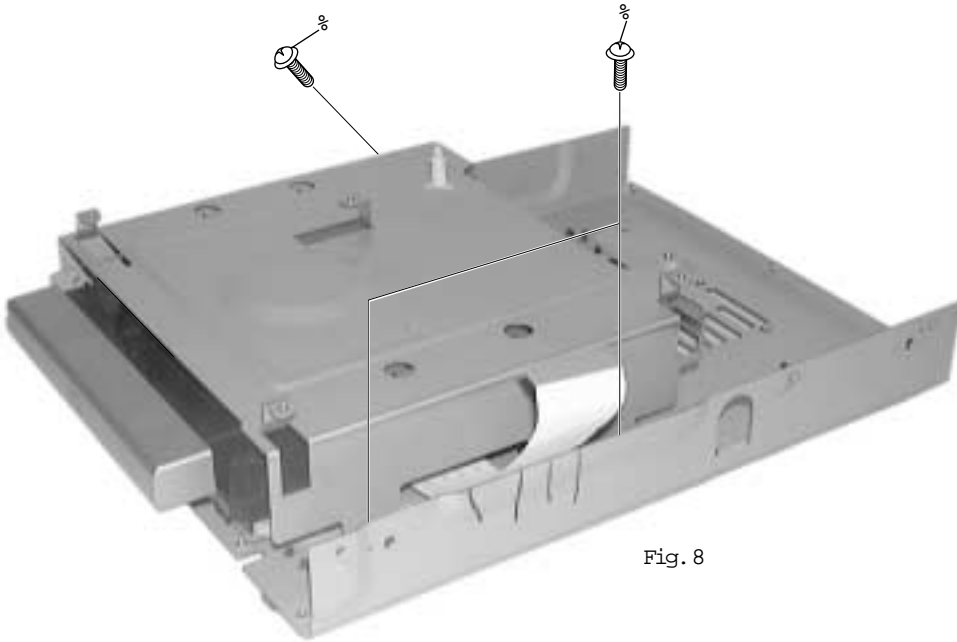


Fig. 8

9 Removal of CD Mechanism Assembly

(1) Remove 4 screws $\&$ and pull up the CD mechanism.

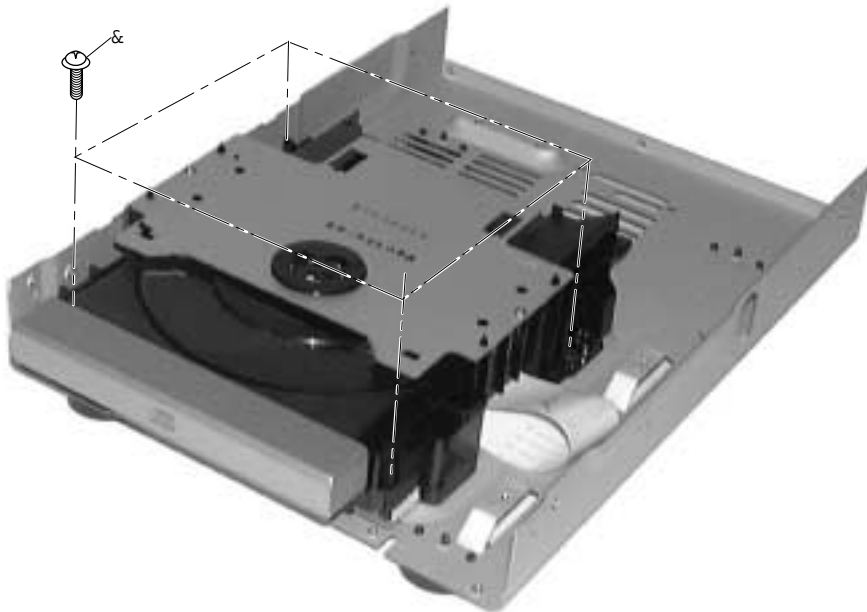
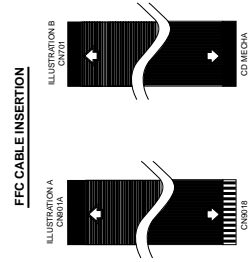
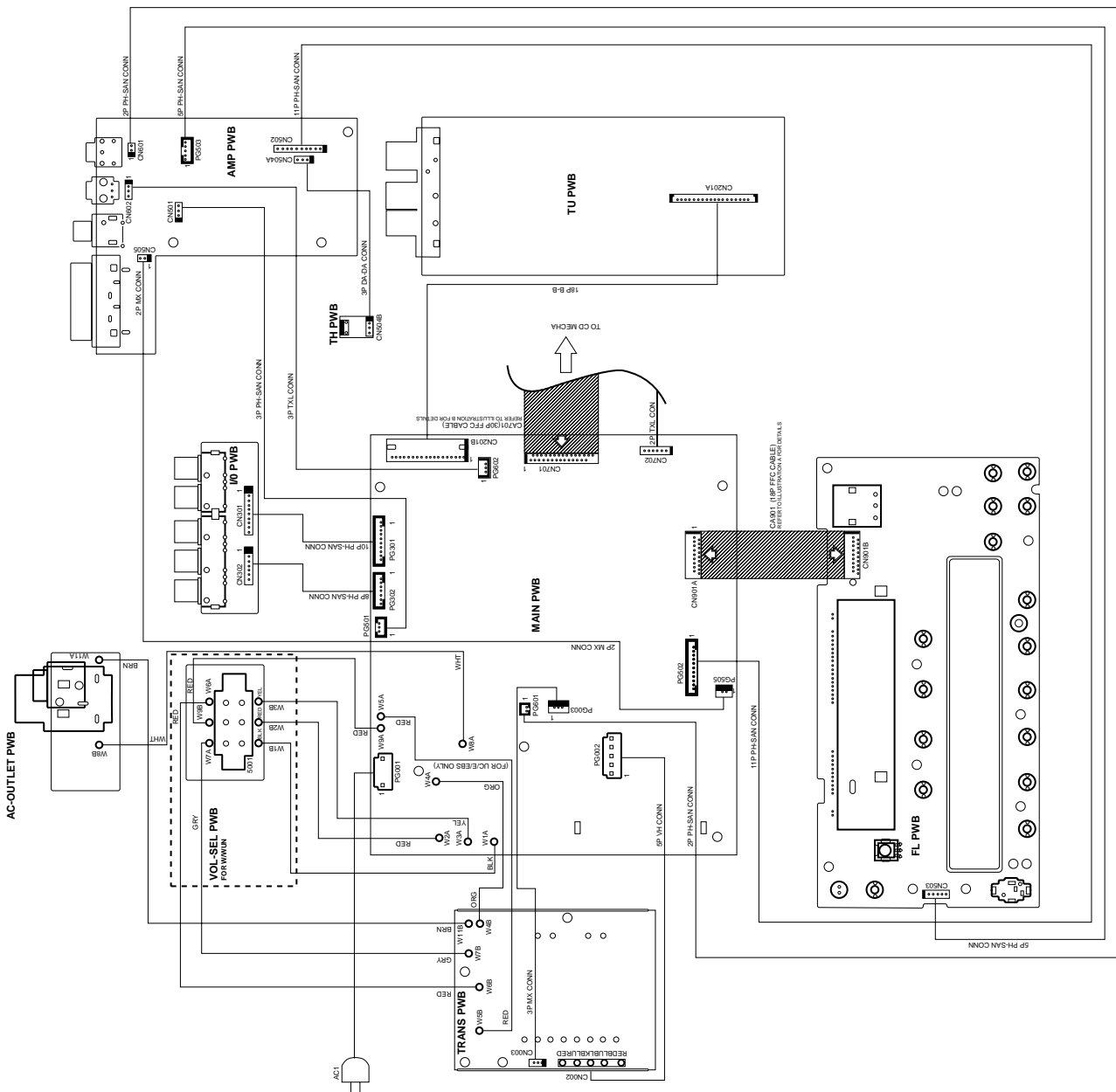
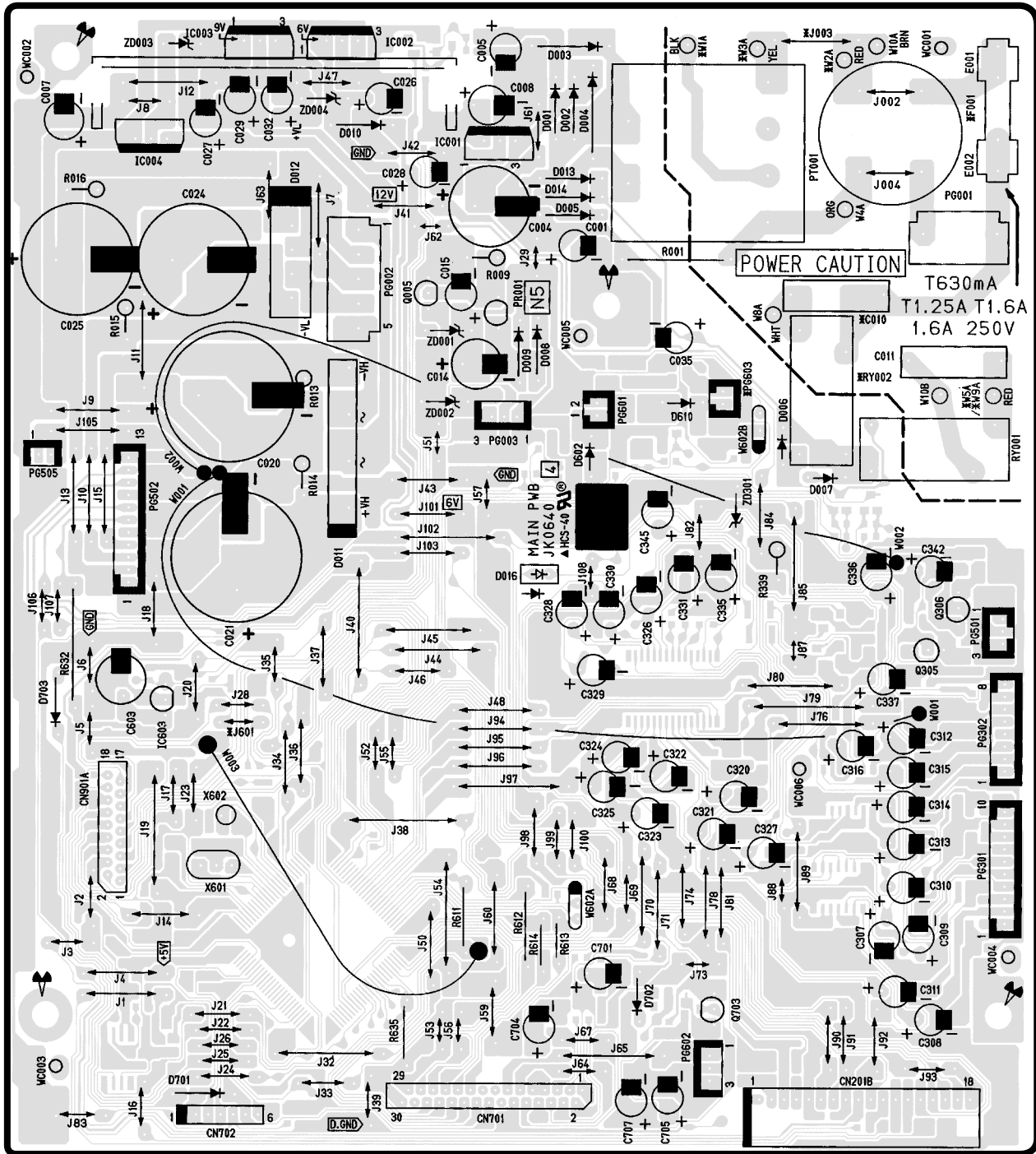


Fig. 9

WIRING DIAGRAM

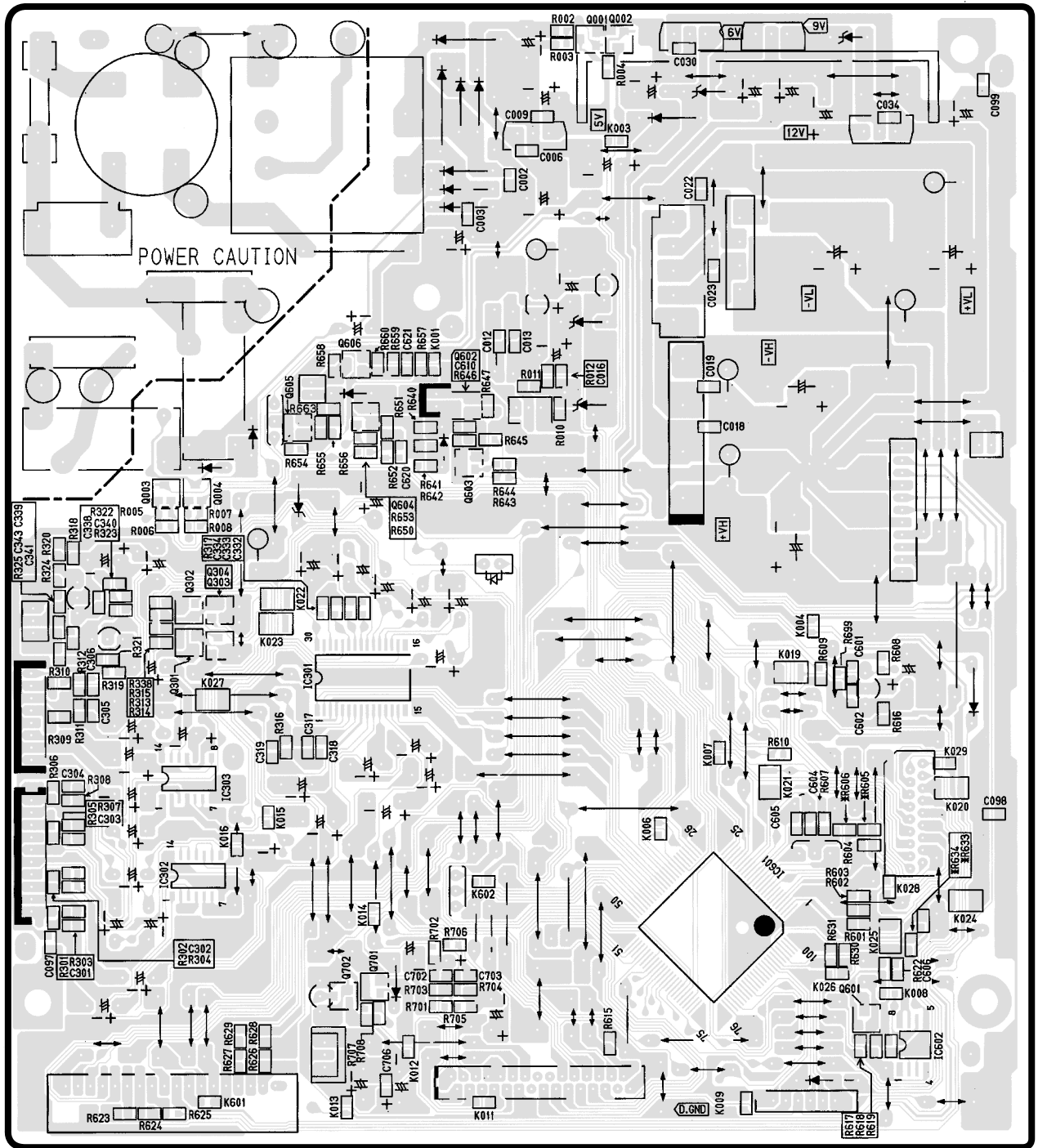


Component Side



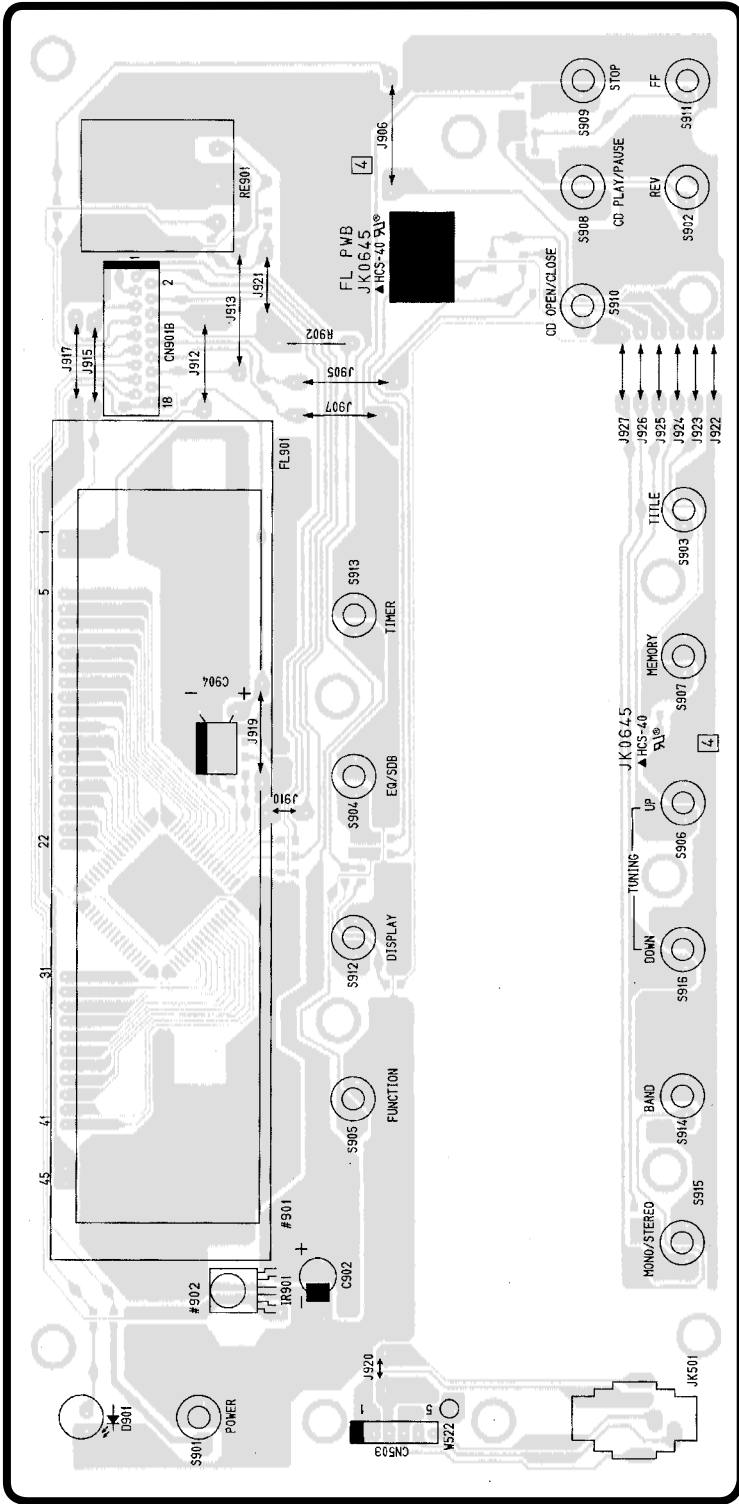
MAIN PWB

Soldering Side

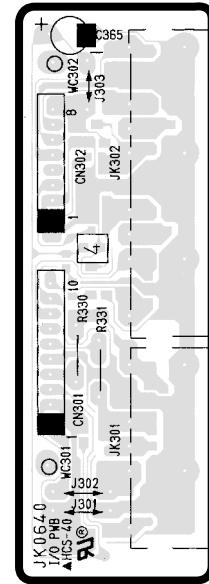


MAIN PWB

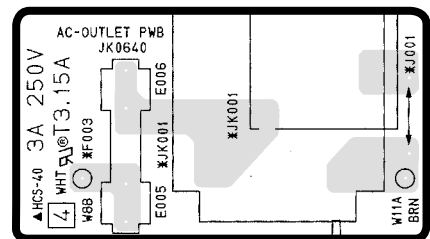
Component Side



FL PWB

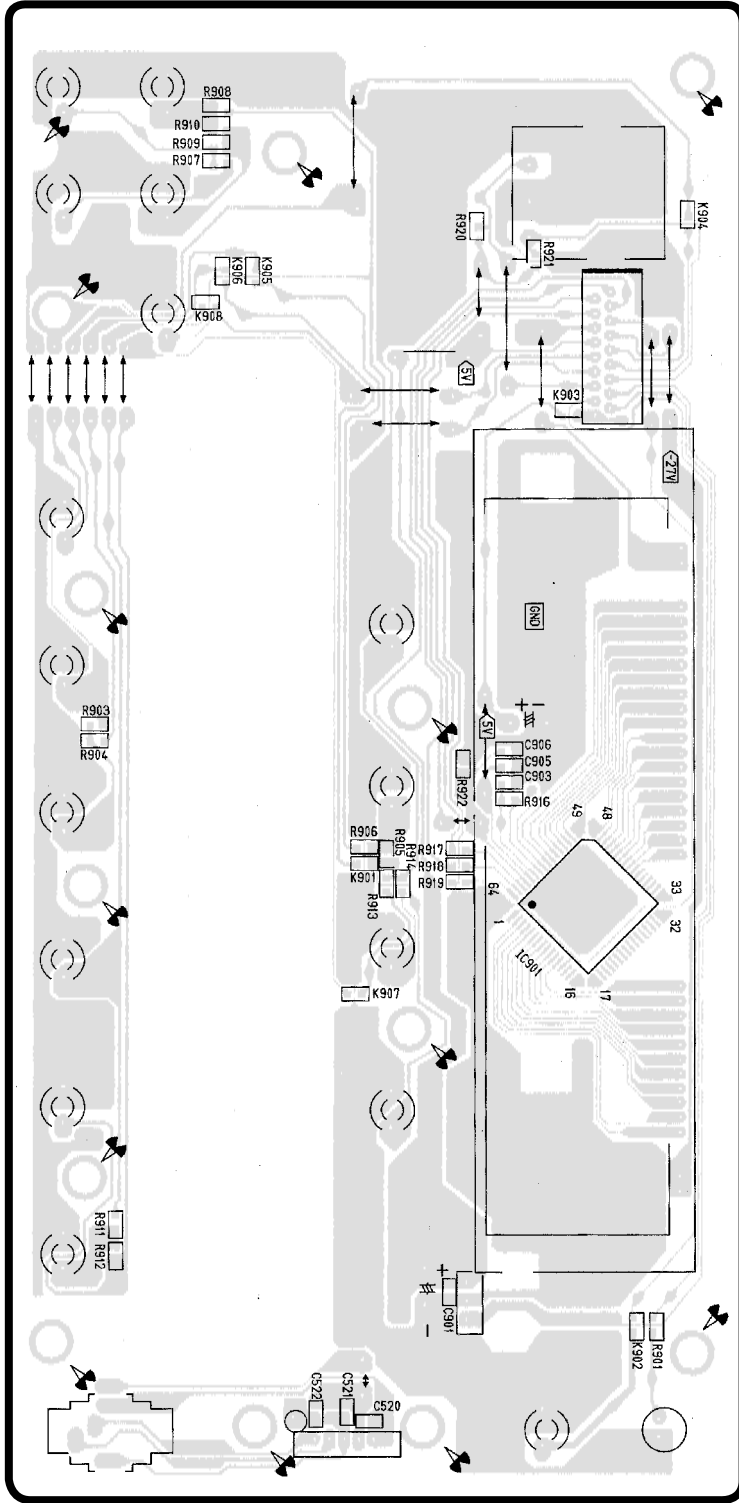


I/O P.W.B.

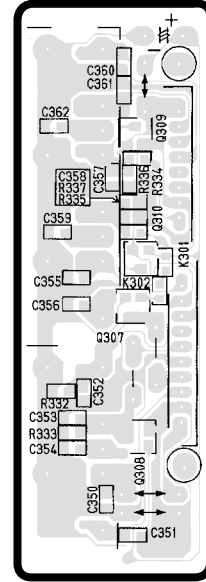


AC OUTLET P.W.B.

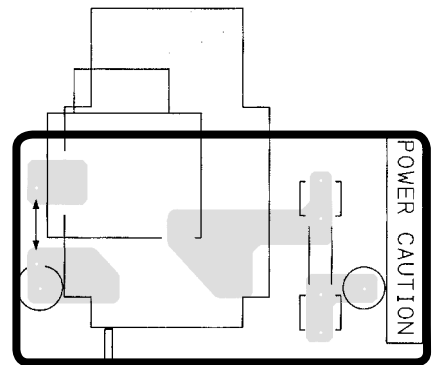
Soldering Side



FL PWB

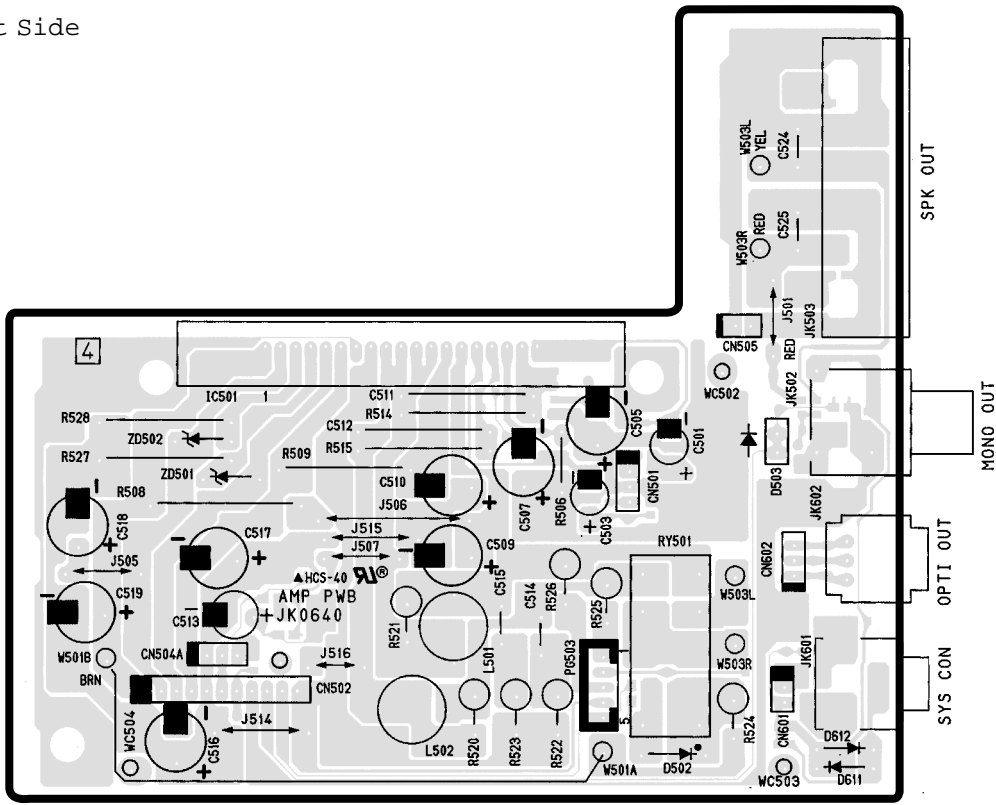


I/O P.W.B.

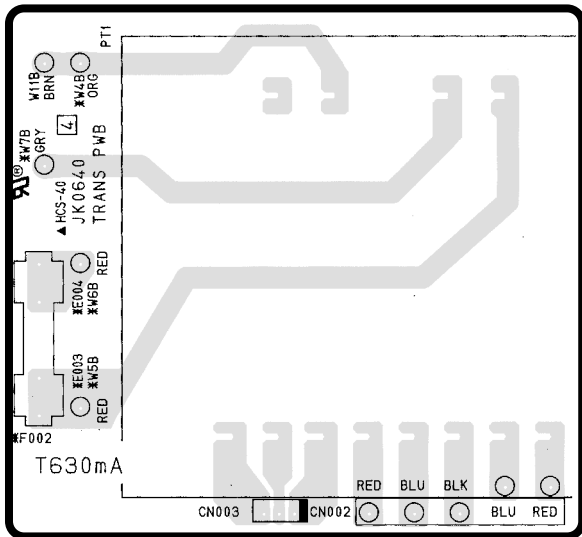


AC OUTLET P.W.B.

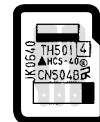
Component Side



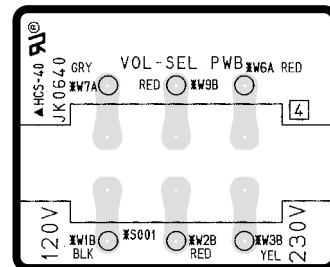
AMP PWB



TRANS P.W.B.

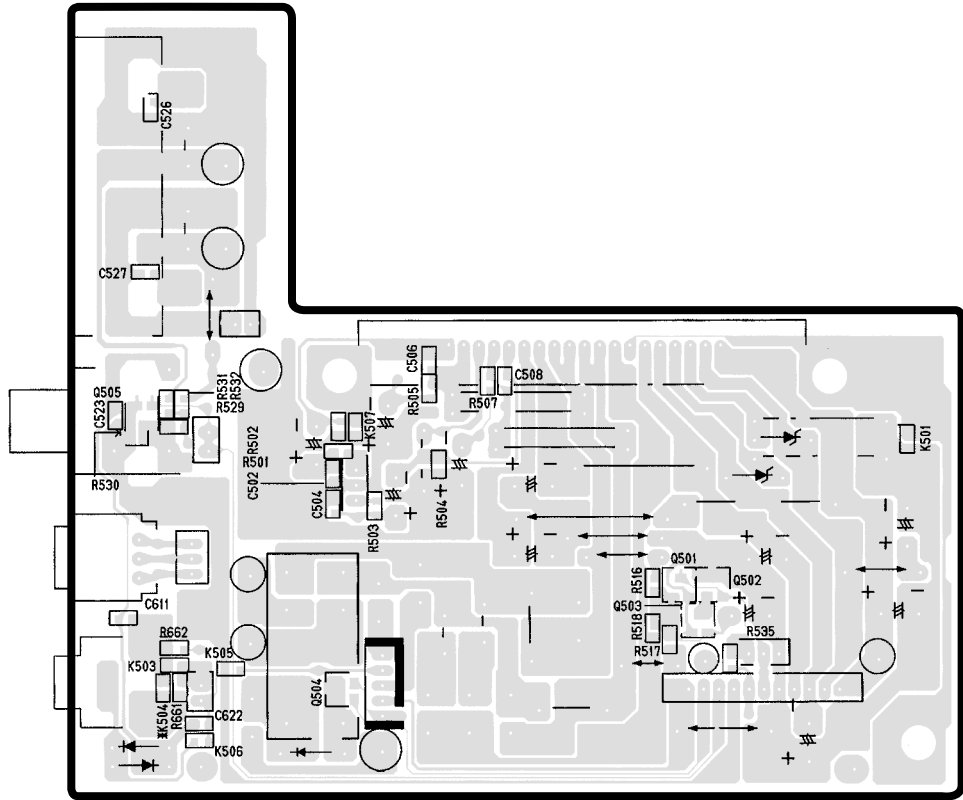


TH P.W.B.

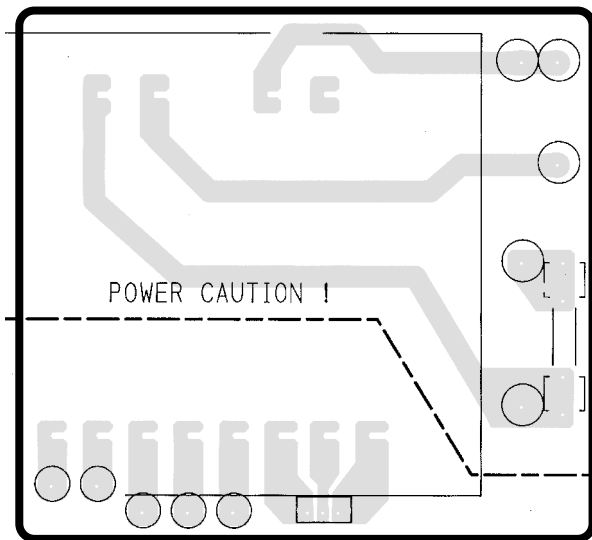


VOL-SEL P.W.B.

Soldering Side



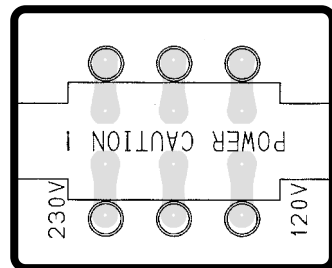
AMP PWB



TRANS P.W.B.



TH P.W.B.



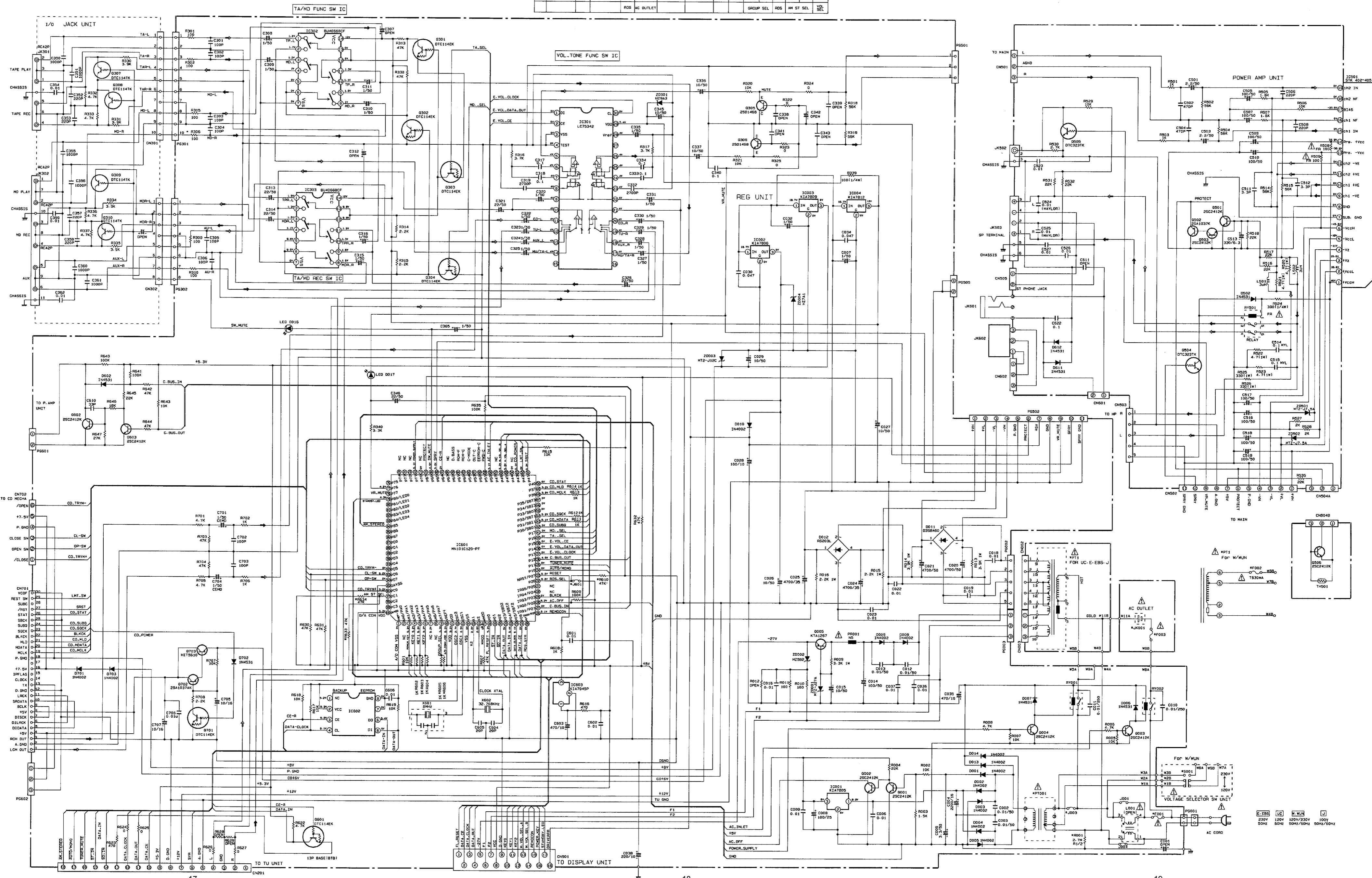
VOL-SEL P.W.B.

CIRCUIT DIAGRAM

MAIN/POWER Circuit

DIFFERENCE TABLE

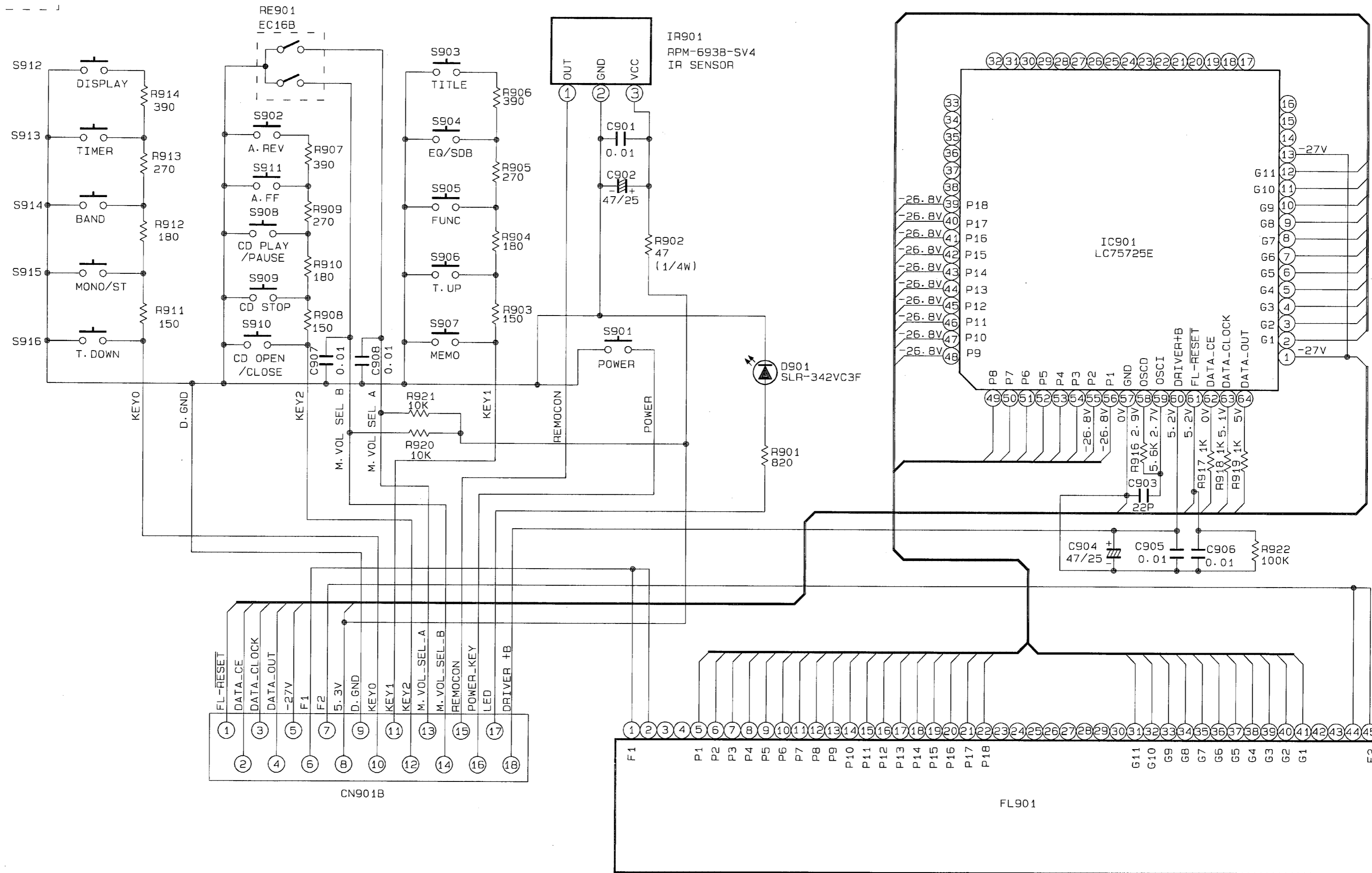
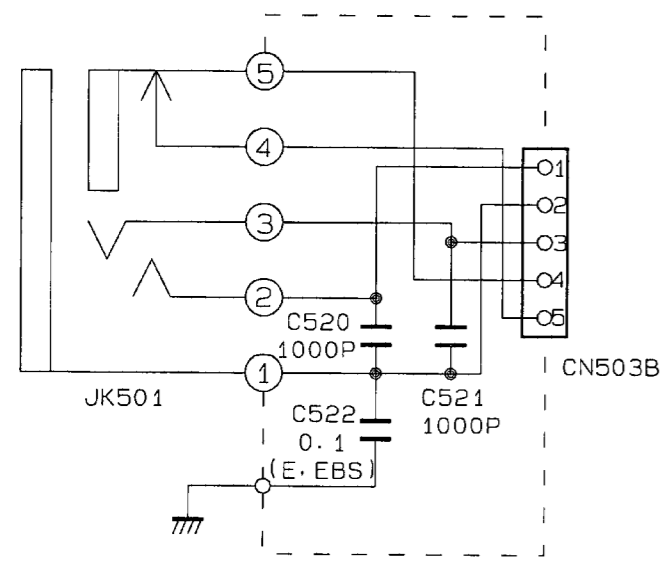
| UC | F001 | F002 | F003 | J601 | J602 | PT001 | PT1 | R001 | R002 | R003 | R004 | R005 | R006 | R007 | R008 | R009 | R010 | R011 | R012 | R013 | R014 | R015 | R016 | R017 | R018 | R019 | R020 | R021 | R022 | R023 | R024 | R025 | R026 | R027 | R028 | R029 | R030 | R031 | R032 | R033 | R034 | R035 | R036 | R037 | R038 | R039 | R040 | R041 | R042 | R043 | R044 | R045 | R046 | R047 | R048 | R049 | R050 | R051 | R052 | R053 | R054 | R055 | R056 | R057 | R058 | R059 | R060 | R061 | R062 | R063 | R064 | R065 | R066 | R067 | R068 | R069 | R070 | R071 | R072 | R073 | R074 | R075 | R076 | R077 | R078 | R079 | R080 | R081 | R082 | R083 | R084 | R085 | R086 | R087 | R088 | R089 | R090 | R091 | R092 | R093 | R094 | R095 | R096 | R097 | R098 | R099 | R100 | R101 | R102 | R103 | R104 | R105 | R106 | R107 | R108 | R109 | R110 | R111 | R112 | R113 | R114 | R115 | R116 | R117 | R118 | R119 | R120 | R121 | R122 | R123 | R124 | R125 | R126 | R127 | R128 | R129 | R130 | R131 | R132 | R133 | R134 | R135 | R136 | R137 | R138 | R139 | R140 | R141 | R142 | R143 | R144 | R145 | R146 | R147 | R148 | R149 | R150 | R151 | R152 | R153 | R154 | R155 | R156 | R157 | R158 | R159 | R160 | R161 | R162 | R163 | R164 | R165 | R166 | R167 | R168 | R169 | R170 | R171 | R172 | R173 | R174 | R175 | R176 | R177 | R178 | R179 | R180 | R181 | R182 | R183 | R184 | R185 | R186 | R187 | R188 | R189 | R190 | R191 | R192 | R193 | R194 | R195 | R196 | R197 | R198 | R199 | R200 | R201 | R202 | R203 | R204 | R205 | R206 | R207 | R208 | R209 | R210 | R211 | R212 | R213 | R214 | R215 | R216 | R217 | R218 | R219 | R220 | R221 | R222 | R223 | R224 | R225 | R226 | R227 | R228 | R229 | R230 | R231 | R232 | R233 | R234 | R235 | R236 | R237 | R238 | R239 | R240 | R241 | R242 | R243 | R244 | R245 | R246 | R247 | R248 | R249 | R250 | R251 | R252 | R253 | R254 | R255 | R256 | R257 | R258 | R259 | R260 | R261 | R262 | R263 | R264 | R265 | R266 | R267 | R268 | R269 | R270 | R271 | R272 | R273 | R274 | R275 | R276 | R277 | R278 | R279 | R280 | R281 | R282 | R283 | R284 | R285 | R286 | R287 | R288 | R289 | R290 | R291 | R292 | R293 | R294 | R295 | R296 | R297 | R298 | R299 | R300 | R301 | R302 | R303 | R304 | R305 | R306 | R307 | R308 | R309 | R310 | R311 | R312 | R313 | R314 | R315 | R316 | R317 | R318 | R319 | R320 | R321 | R322 | R323 | R324 | R325 | R326 | R327 | R328 | R329 | R330 | R331 | R332 | R333 | R334 | R335 | R336 | R337 | R338 | R339 | R340 | R341 | R342 | R343 | R344 | R345 | R346 | R347 | R348 | R349 | R350 | R351 | R352 | R353 | R354 | R355 | R356 | R357 | R358 | R359 | R360 | R361 | R362 | R363 | R364 | R365 | R366 | R367 | R368 | R369 | R370 | R371 | R372 | R373 | R374 | R375 | R376 | R377 | R378 | R379 | R380 | R381 | R382 | R383 | R384 | R385 | R386 | R387 | R388 | R389 | R390 | R391 | R392 | R393 | R394 | R395 | R396 | R397 | R398 | R399 | R400 | R401 | R402 | R403 | R404 | R405 | R406 | R407 | R408 | R409 | R410 | R411 | R412 | R413 | R414 | R415 | R416 | R417 | R418 | R419 | R420 | R421 | R422 | R423 | R424 | R425 | R426 | R427 | R428 | R429 | R430 | R431 | R432 | R433 | R434 | R435 | R436 | R437 | R438 | R439 | R440 | R441 | R442 | R443 | R444 | R445 | R446 | R447 | R448 | R449 | R450 | R451 | R452 | R453 | R454 | R455 | R456 | R457 | R458 | R459 | R460 | R461 | R462 | R463 | R464 | R465 | R466 | R467 | R468 | R469 | R470 | R471 | R472 | R473 | R474 | R475 | R476 | R477 | R478 | R479 | R480 | R481 | R482 | R483 | R484 | R485 | R486 | R487 | R488 | R489 | R490 | R491 | R492 | R493 | R494 | R495 | R496 | R497 | R498 | R499 | R500 | R501 | R502 | R503 | R504 | R505 | R506 | R507 | R508 | R509 | R510 | R511 | R512 | R513 | R514 | R515 | R516 | R517 | R518 | R519 | R520 | R521 | R522 | R523 | R524 | R525 | R526 | R527 | R528 | R529 | R530 | R531 | R532 | R533 | R534 | R535 | R536 | R537 | R538 | R539 | R540 | R541 | R542 | R543 | R544 | R545 | R546 | R547 | R548 | R549 | R550 | R551 | R552 | R553 | R554 | R555 | R556 | R557 | R558 | R559 | R560 | R561 | R562 | R563 | R564 | R565 | R566 | R567 | R568 | R569 | R570 | R571 | R572 | R573 | R574 | R575 | R576 | R577 | R578 | R579 | R580 | R581 | R582 | R583 | R584 | R585 | R586 | R587 | R588 | R589 | R590 | R591 | R592 | R593 | R594 | R595 | R596 | R597 | R598 | R599 | R600 | R601 | R602 | R603 | R604 | R605 | R606 | R607 | R608 | R609 | R610 | R611 | R612 | R613 | R614 | R615 | R616 | R617 | R618 | R619 | R620 | R621 | R622 | R623 | R624 | R625 | R626 | R627 | R628 | R629 | R630 | R631 | R632 | R633 | R634 | R635 | R636 | R637 | R638 | R639 | R640 | R641 | R642 | R643 | R644 | R645 | R646 | R647 | R648 | R649 | R650 | R651 | R652 | R653 | R654 | R655 | R656 | R657 | R658 | R659 | R660 | R661 | R662 | R663 | R664 | R665 | R666 | R667 | R668 | R669 | R670 | R671 | R672 | R673 | R674 | R675 | R676 | R677 | R678 | R679 | R680 | R681 | R682 | R683 | R684 | R685 | R686 | R687 | R688 | R689 | R690 | R691 | R692 | R693 | R694 | R695 | R696 | R697 | R698 | R699 | R700 | R701 | R702 | R703 | R704 | R705 | R706 | R707 | R708 | R709 | R710 | R711 | R712 | R713 | R714 | R715 | R716 | R717 | R718 | R719 | R720 | R721 | R722 | R723 | R724 | R725 | R726 | R727 | R728 | R729 | R730 | R731 | R732 | R733 | R734 | R735 | R736 | R737 | R738 | R739 | R740 | R741 | R742 | R743 | R744 | R745 | R746 | R747 | R748 | R749 | R750 | R751 | R752 | R753 | R754 | R755 | R756 | R757 | R758 | R759 | R760 | R761 | R762 | R763 | R764 | R765 | R766 | R767 | R768 | R769 | R770 | R771 | R772 | R773 | R774 | R775 | R776 | R777 | R778 | R779 | R780 | R781 | R782 | R783 | R784 | R785 | R786 | R787 | R788 | R789 | R790 | R791 | R792 | R793 | R794 | R795 | R796 | R797 | R798 | R799 | R800 | R801 | R802 | R803 | R804 | R805 | R806 | R807 | R808 | R809 | R810 | R811 | R812 | R813 | R814 | R815 | R816 | R817 | R818 | R819 | R820 | R821 | R822 | R823 | R824 | R825 | R826 | R827 | R828 | R829 | R830 | R831 | R832 | R833 | R834 | R835 | R836 | R837 | R838 | R839 | R840 | R841 | R842 | R843 | R844 | R845 | R846 | R847 | R848 | R849 | R850 | R851 | R852 | R853 | R854 | R855 | R856 | R857 | R858 | R859 | R860 | R861 | R862 | R863 | R864 | R865 | R866 | R867 | R868 | R869 | R870 | R871 | R872 | R873 | R874 | R875 | R876 | R877 | R878 | R879 | R880 | R881 | R882 | R883 | R884 | R885 | R886 | R887 | R888 | R889 | R890 | R891 | R892 | R893 | R894 | R895 | R896 | R897 | R898 | R899 | R900 | R901 | R902 | R903 | R904 | R905 | R906 | R907 | R908 | R909 | R910 | R911 | R912 | R913 | R914 | R915 | R916 | R917 | R918 | R919 | R920 | R921 | R922 | R923 | R924 | R925 | R926 | R927 | R928 | R929 | R930 | R931 | R932 | R933 | R934 | R935 | R936 | R937 | R938 | R939 | R940 | R941 | R942 | R943 | R944 | R945 | R946 | R947 | R948 | R949 | R950 | R951 | R952 | R953 | R954 | R955 | R956 | R957 | R958 | R959 | R960 | R961 | R962 | R963 | R964 | R965 | R966 | R967 | R968 | R969 | R970 | R971 | R972 | R973 | R974 | R975 | R976 | R977 | R978 | R979 | R980 | R981 | R982 | R983 | R984 | R985 | R986 | R987 | R988 | R989 | R990 | R991 | R992 | R993 | R994 | R995 | R996 | R997 | R998 | R999 | R1000 |
|----|------|------|------|------|------|-------|-----|------|------|------|------|------|------|------|------|------|------|------|------|------|------|------|------|------|------|------|------|------|------|------|------|------|------|------|------|------|------|------|------|------|------|------|------|------|------|------|------|------|------|------|------|------|------|------|------|------|------|------|------|------|------|------|------|------|------|------|------|------|------|------|------|------|------|------|------|------|------|------|------|------|------|------|------|------|------|------|------|------|------|------|------|------|------|------|------|------|------|------|------|------|------|------|------|------|------|------|------|------|------|------|------|------|------|------|------|------|------|------|------|------|------|------|------|------|------|------|------|------|------|------|------|------|------|------|------|------|------|------|------|------|------|------|------|------|------|------|------|------|------|------|------|------|------|------|------|------|------|------|------|------|------|------|------|------|------|------|------|------|------|------|------|------|------|------|------|------|------|------|------|------|------|------|------|------|------|------|------|------|------|------|------|------|------|------|------|------|------|------|------|------|------|------|------|------|------|------|------|------|------|------|------|------|------|------|------|------|------|------|------|------|------|------|------|------|------|------|------|------|------|------|------|------|------|------|------|------|------|------|------|------|------|------|------|------|------|------|------|------|------|------|------|------|------|------|------|------|------|------|------|------|------|------|------|------|------|------|------|------|------|------|------|------|------|------|------|------|------|------|------|------|------|------|------|------|------|------|------|------|------|------|------|------|------|------|------|------|------|------|------|------|------|------|------|------|------|------|------|------|------|------|------|------|------|------|------|------|------|------|------|------|------|------|------|------|------|------|------|------|------|------|------|------|------|------|------|------|------|------|------|------|------|------|------|------|------|------|------|------|------|------|------|------|------|------|------|------|------|------|------|------|------|------|------|------|------|------|------|------|------|------|------|------|------|------|------|------|------|------|------|------|------|------|------|------|------|------|------|------|------|------|------|------|------|------|------|------|------|------|------|------|------|------|------|------|------|------|------|------|------|------|------|------|------|------|------|------|------|------|------|------|------|------|------|------|------|------|------|------|------|------|------|------|------|------|------|------|------|------|------|------|------|------|------|------|------|------|------|------|------|------|------|------|------|------|------|------|------|------|------|------|------|------|------|------|------|------|------|------|------|------|------|------|------|------|------|------|------|------|------|------|------|------|------|------|------|------|------|------|------|------|------|------|------|------|------|------|------|------|------|------|------|------|------|------|------|------|------|------|------|------|------|------|------|------|------|------|------|------|------|------|------|------|------|------|------|------|------|------|------|------|------|------|------|------|------|------|------|------|------|------|------|------|------|------|------|------|------|------|------|------|------|------|------|------|------|------|------|------|------|------|------|------|------|------|------|------|------|------|------|------|------|------|------|------|------|------|------|------|------|------|------|------|------|------|------|------|------|------|------|------|------|------|------|------|------|------|------|------|------|------|------|------|------|------|------|------|------|------|------|------|------|------|------|------|------|------|------|------|------|------|------|------|------|------|------|------|------|------|------|------|------|------|------|------|------|------|------|------|------|------|------|------|------|------|------|------|------|------|------|------|------|------|------|------|------|------|------|------|------|------|------|------|------|------|------|------|------|------|------|------|------|------|------|------|------|------|------|------|------|------|------|------|------|------|------|------|------|------|------|------|------|------|------|------|------|------|------|------|------|------|------|------|------|------|------|------|------|------|------|------|------|------|------|------|------|------|------|------|------|------|------|------|------|------|------|------|------|------|------|------|------|------|------|------|------|------|------|------|------|------|------|------|------|------|------|------|------|------|------|------|------|------|------|------|------|------|------|------|------|------|------|------|------|------|------|------|------|------|------|------|------|------|------|------|------|------|------|------|------|------|------|------|------|------|------|------|------|------|------|------|------|------|------|------|------|------|------|------|------|------|------|------|------|------|------|------|------|------|------|------|------|------|------|------|------|------|------|------|------|------|------|------|------|------|------|------|------|------|------|------|------|------|------|------|------|------|------|------|------|------|------|------|------|------|------|------|------|------|------|------|------|------|------|------|------|------|------|------|------|------|------|------|------|------|------|------|------|------|------|------|------|------|------|------|------|------|------|------|------|------|------|------|------|------|------|------|------|------|------|------|------|------|------|------|------|------|------|------|------|------|------|------|------|------|------|------|------|------|------|------|------|------|------|------|------|------|------|------|------|------|------|------|------|------|------|------|------|------|------|------|------|------|------|------|------|------|------|------|------|------|------|------|------|------|------|------|------|------|------|------|------|------|------|------|------|------|------|------|------|------|------|------|------|------|------|------|------|------|------|------|------|------|------|------|------|------|------|------|------|------|------|------|------|------|------|------|------|------|------|------|------|------|------|------|------|------|------|------|------|------|------|------|------|------|------|------|-------|
|----|------|------|------|------|------|-------|-----|------|------|------|------|------|------|------|------|------|------|------|------|------|------|------|------|------|------|------|------|------|------|------|------|------|------|------|------|------|------|------|------|------|------|------|------|------|------|------|------|------|------|------|------|------|------|------|------|------|------|------|------|------|------|------|------|------|------|------|------|------|------|------|------|------|------|------|------|------|------|------|------|------|------|------|------|------|------|------|------|------|------|------|------|------|------|------|------|------|------|------|------|------|------|------|------|------|------|------|------|------|------|------|------|------|------|------|------|------|------|------|------|------|------|------|------|------|------|------|------|------|------|------|------|------|------|------|------|------|------|------|------|------|------|------|------|------|------|------|------|------|------|------|------|------|------|------|------|------|------|------|------|------|------|------|------|------|------|------|------|------|------|------|------|------|------|------|------|------|------|------|------|------|------|------|------|------|------|------|------|------|------|------|------|------|------|------|------|------|------|------|------|------|------|------|------|------|------|------|------|------|------|------|------|------|------|------|------|------|------|------|------|------|------|------|------|------|------|------|------|------|------|------|------|------|------|------|------|------|------|------|------|------|------|------|------|------|------|------|------|------|------|------|------|------|------|------|------|------|------|------|------|------|------|------|------|------|------|------|------|------|------|------|------|------|------|------|------|------|------|------|------|------|------|------|------|------|------|------|------|------|------|------|------|------|------|------|------|------|------|------|------|------|------|------|------|------|------|------|------|------|------|------|------|------|------|------|------|------|------|------|------|------|------|------|------|------|------|------|------|------|------|------|------|------|------|------|------|------|------|------|------|------|------|------|------|------|------|------|------|------|------|------|------|------|------|------|------|------|------|------|------|------|------|------|------|------|------|------|------|------|------|------|------|------|------|------|------|------|------|------|------|------|------|------|------|------|------|------|------|------|------|------|------|------|------|------|------|------|------|------|------|------|------|------|------|------|------|------|------|------|------|------|------|------|------|------|------|------|------|------|------|------|------|------|------|------|------|------|------|------|------|------|------|------|------|------|------|------|------|------|------|------|------|------|------|------|------|------|------|------|------|------|------|------|------|------|------|------|------|------|------|------|------|------|------|------|------|------|------|------|------|------|------|------|------|------|------|------|------|------|------|------|------|------|------|------|------|------|------|------|------|------|------|------|------|------|------|------|------|------|------|------|------|------|------|------|------|------|------|------|------|------|------|------|------|------|------|------|------|------|------|------|------|------|------|------|------|------|------|------|------|------|------|------|------|------|------|------|------|------|------|------|------|------|------|------|------|------|------|------|------|------|------|------|------|------|------|------|------|------|------|------|------|------|------|------|------|------|------|------|------|------|------|------|------|------|------|------|------|------|------|------|------|------|------|------|------|------|------|------|------|------|------|------|------|------|------|------|------|------|------|------|------|------|------|------|------|------|------|------|------|------|------|------|------|------|------|------|------|------|------|------|------|------|------|------|------|------|------|------|------|------|------|------|------|------|------|------|------|------|------|------|------|------|------|------|------|------|------|------|------|------|------|------|------|------|------|------|------|------|------|------|------|------|------|------|------|------|------|------|------|------|------|------|------|------|------|------|------|------|------|------|------|------|------|------|------|------|------|------|------|------|------|------|------|------|------|------|------|------|------|------|------|------|------|------|------|------|------|------|------|------|------|------|------|------|------|------|------|------|------|------|------|------|------|------|------|------|------|------|------|------|------|------|------|------|------|------|------|------|------|------|------|------|------|------|------|------|------|------|------|------|------|------|------|------|------|------|------|------|------|------|------|------|------|------|------|------|------|------|------|------|------|------|------|------|------|------|------|------|------|------|------|------|------|------|------|------|------|------|------|------|------|------|------|------|------|------|------|------|------|------|------|------|------|------|------|------|------|------|------|------|------|------|------|------|------|------|------|------|------|------|------|------|------|------|------|------|------|------|------|------|------|------|------|------|------|------|------|------|------|------|------|------|------|------|------|------|------|------|------|------|------|------|------|------|------|------|------|------|------|------|------|------|------|------|------|------|------|------|------|------|------|------|------|------|------|------|------|------|------|------|------|------|------|------|------|------|------|------|------|------|------|------|------|------|------|------|------|------|------|------|------|------|------|------|------|------|------|------|------|------|------|------|------|------|------|------|------|------|------|------|------|------|------|------|------|------|------|------|------|------|------|------|------|------|------|------|------|------|------|------|------|------|------|------|------|------|------|------|------|------|------|------|------|------|------|------|------|------|------|------|------|------|------|------|------|------|------|------|------|------|------|------|------|------|------|------|------|------|------|------|------|------|------|------|------|------|------|------|------|------|------|------|------|------|------|------|------|------|------|------|------|------|------|------|------|------|-------|



CIRCUIT DIAGRAM

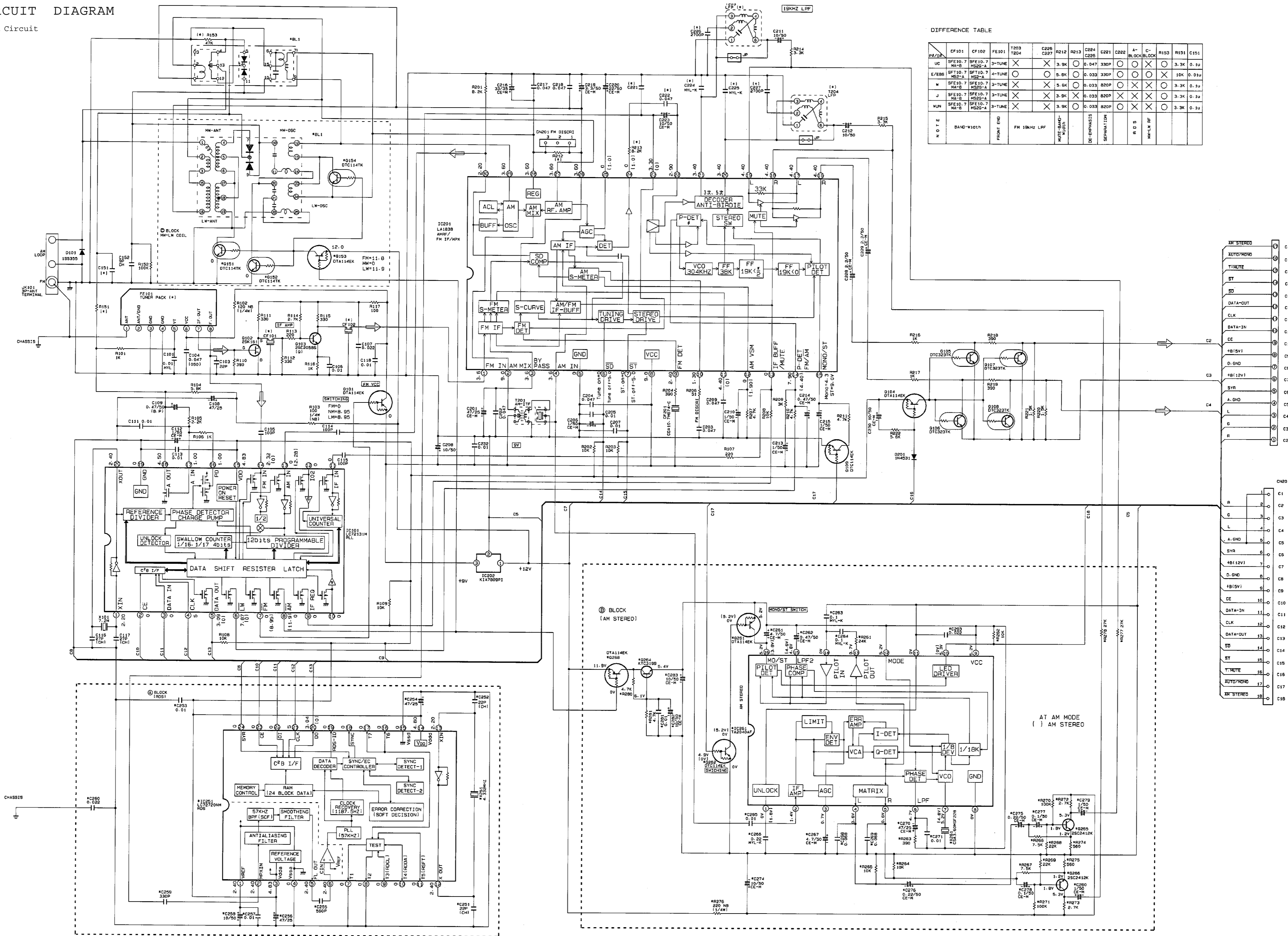
-FL DISP. Circuit

HEADPHONE CCT.



CIRCUIT DIAGRAM

TUNER Circuit



DIFFERENCE TABLE

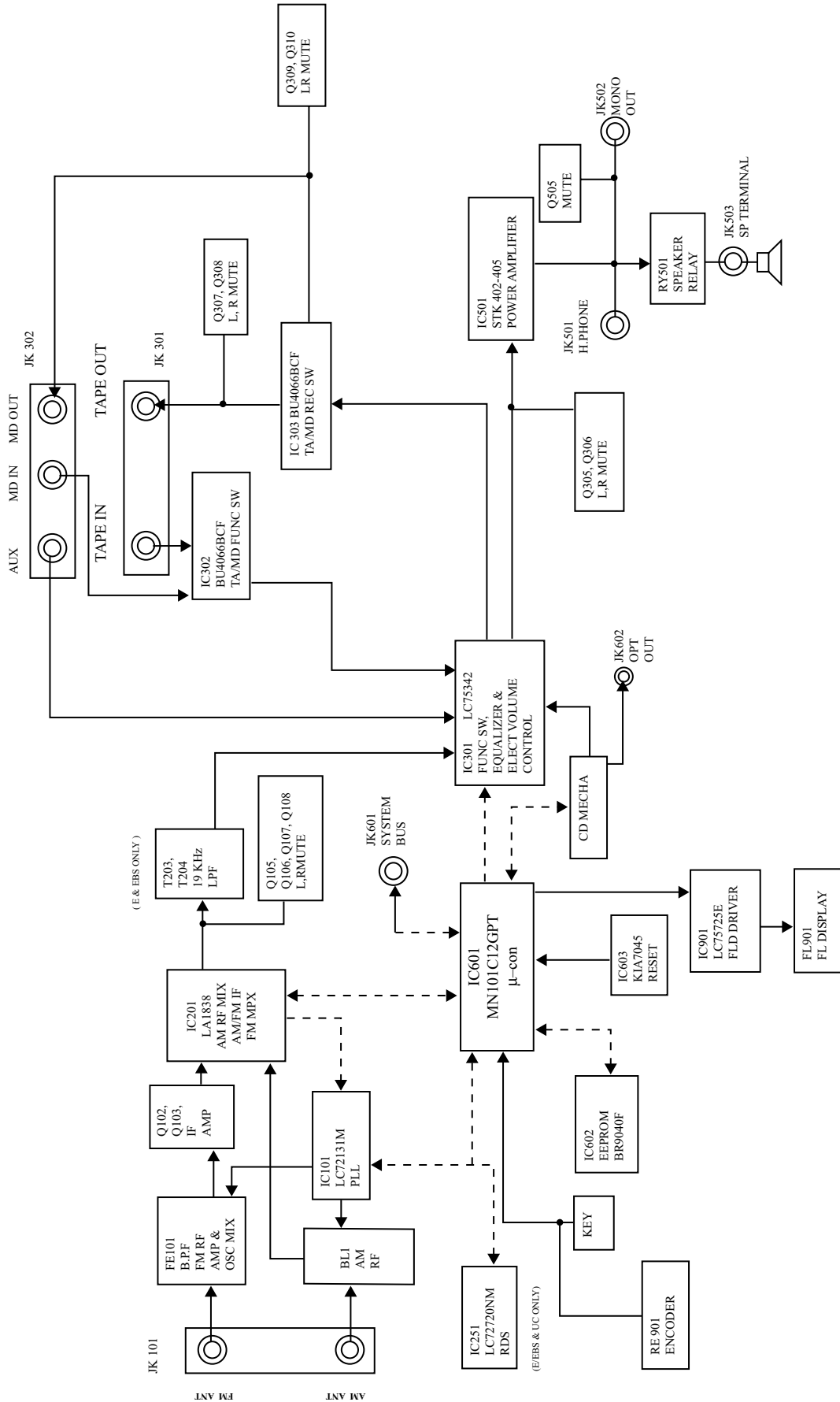
| PL/FL | CF101 | CF102 | FE101 | T2001 | C226 | R212 | R213 | C225 | C221 | C222 | A- BLOCK | D- BLOCK | R153 | R151 | C151 |
|-------|------------------|------------------|--------|-------|------|------|------|-------|------|------|-------------|-------------|------|------|-----------|
| UC | SFE10-7 MA-B | SFE10-7 MSD-A | 3-TUNE | X | X | 3.9K | X | 0.047 | 330P | X | X | X | X | 10K | 3.3K 0.5u |
| E/EBE | SFE10-7 MSD-A | SFE10-7 MSD-A | 4-TUNE | X | X | 5.6K | X | 0.033 | 330P | X | X | X | X | 10K | 3.3K 0.5u |
| M | SFE10-7 MA-B | SFE10-7 MSD-A | 3-TUNE | X | X | 5.6K | X | 0.033 | 820P | X | X | X | X | 3.3K | 0.5u |
| J | SFE10-7 MA-B | SFE10-7 MSD-A | 3-TUNE | X | X | 3.9K | X | 0.033 | 820P | X | X | X | X | 3.3K | 0.5u |
| MUN | SFE10-7 MA-B | SFE10-7 MSD-A | 3-TUNE | X | X | 3.9K | X | 0.033 | 820P | X | X | X | X | 3.3K | 0.5u |

NOTE: BAND=101LN, POINT END, FM 18KHZ LFP, MUTE-BAND=101LN, DE-EMPHASIS, SENSATION, RDS, INFLW RF.

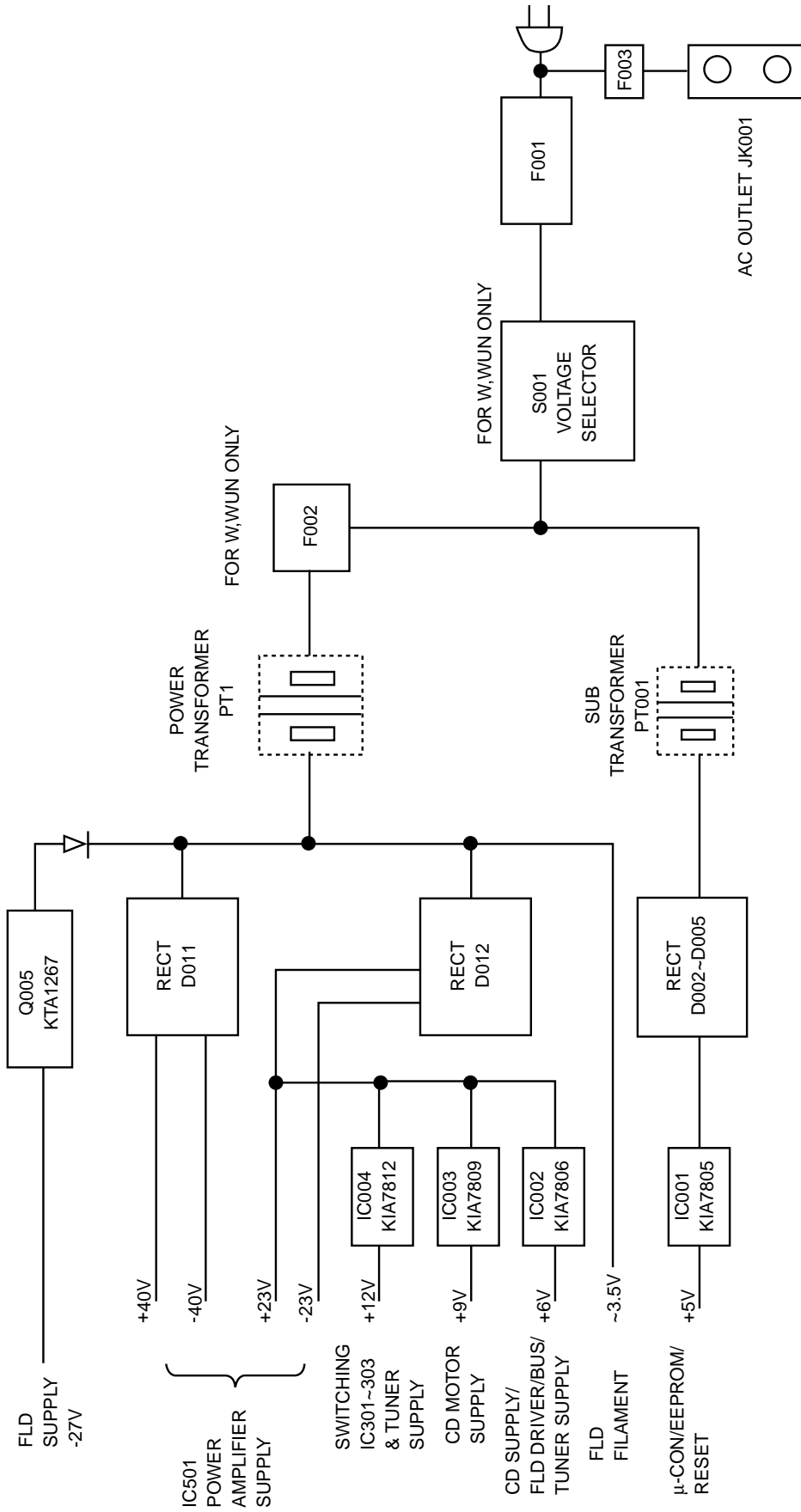
CH201A (FOR HTA-R100 ONL. TO MAIN PWB UNIT)

(FOR HCU-R30 ONL. TO MAIN PWB UNIT)

BLOCK DIAGRAM (MAIN)

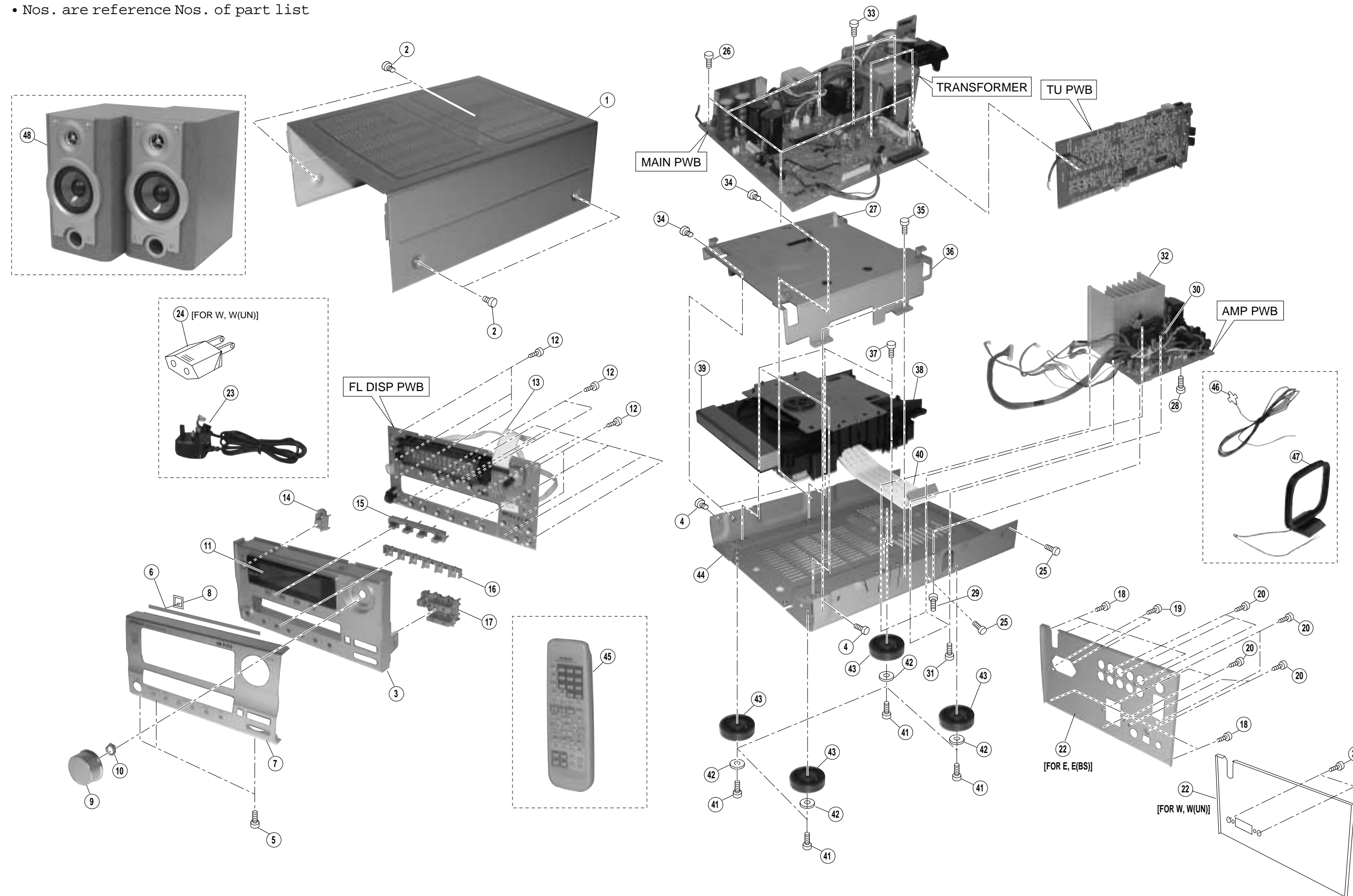


BLOCK DIAGRAM (POWER)



EXPLODED VIEW (Cabinet Chassis)

• Nos. are reference Nos. of part list



**THE UPDATED PARTS LIST
FOR THIS MODEL IS
AVAILABLE ON ESTA**

HITACHI

Hitachi, Ltd. Tokyo, Japan
International Sales Division
THE HITACHI ATAGO BUILDING,
No. 15-12 Nishi Shinbashi, 2 - Chome,
Minato - Ku, Tokyo 105-8430, Japan.
Tel: 03 35022111

HITACHI EUROPE LTD,

Whitebrook Park
Lower Cookham Road
Maidenhead
Berkshire
SL6 8YA

UNITED KINGDOM

Tel: 01628 643000
Fax: 01628 643400
Email: consumer-service@hitachi-eu.com

HITACHI EUROPE S.A.

364 Kifissias Ave. & 1, Delfon Str.
152 33 Chalandri
Athens

GREECE

Tel: 1-6837200
Fax: 1-6835964
Email: service.hellas@hitachi-eu.com

HITACHI EUROPE GmbH

Munich Office
Dornacher Strasse 3
D-85622 Feldkirchen bei München

GERMANY

Tel: +49-89-991 80-0
Fax: +49-89-991 80-224
Hotline: +49-180-551 25 51 (12ct/min)
Email: HSE-DUS.service@hitachi-eu.com

HITACHI EUROPE S.A.

Gran Via Carlos III, 101-1
08028 Barcelona

SPAIN

Tel: 93 409 2550
Fax: 93 491 3513
Email: atencion.cliente@hitachi-eu.com

HITACHI EUROPE srl

Via Tommaso Gulli N.39, 20147
Milano, Italia

ITALY

Tel: +39 02 487861
Tel: +39 02 38073415 Servizio Clienti
Fax: +39 02 48786381/2
Email: customerservice.italy@hitachi-eu.com

HITACHI Europe AB

Box 77 S-164 94 Kista

SWEDEN

Tel: +46 (0) 8 562 711 00
Fax: +46 (0) 8 562 711 13
Email: csgswe@hitachi-eu.com

HITACHI EUROPE S.A.S

Lyon Office
B.P. 45, 69671 BRON CEDEX

FRANCE

Tel: 04 72 14 29 70
Fax: 04 72 14 29 99
Email: france.consommateur@hitachi-eu.com

HITACHI EUROPE LTD (Norway) AB

STRANDVEIEN 18

1366 Lysaker

NORWAY

Tel: 67 5190 30
Fax: 67 5190 32
Email: csgnor@hitachi-eu.com

HITACH EUROPE AB

Egebækgård
Egebækvej 98
DK-2850 Nærum

DENMARK

Tel: +45 43 43 6050
Fax: +45 43 60 51
Email: csgnor@hitachi-eu.com

HITACHI EUROPE AB

Neopoli / Niemenkatu 73
FIN-15140 Lahti

FINLAND

Tel : +358 3 8858 271
Fax: +358 3 8858 272
Email: csgnor@hitachi-eu.com

Hitachi Europe Ltd

Bergensesteenweg 421
1600 Sint-Pieters-Leeuw

BELGIUM

Tel: +32 2 363 99 01
Fax: +32 2 363 99 00
Email: sofie.van.bom@hitachi-eu.com

HITACHI EUROPE LTD

Na Sychrove 975/8
101 27 Praha 10 - Bohdalec

CZECH REPUBLIC

Tel: +420 267 212 383
Fax: +420 267 212 385
Email: csgnor@hitachi-eu.com

www.hitachidigitalmedia.com